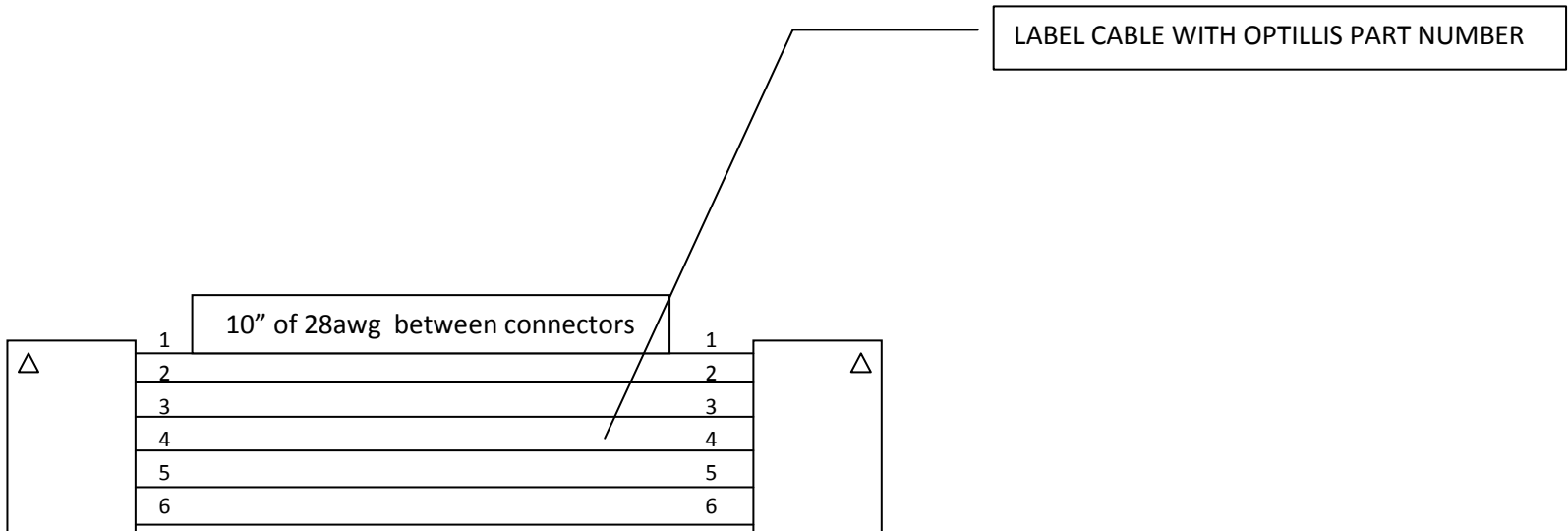


Issue	Revision	Date
Rev. A	Release for production	Aug 01 2009
Rev. B	Added dash number for length	Aug 08 2009
Rev. C	Added P/N Label	09/13/2010



Connectors x 2: SHLP-06V-S-B  
 Contacts x 12: SSHL-003T-P0.2  
 Wire White - Alpa Wire 5852  
 MFG: JST

**Optillis, LLC**

Part Number: LPS100A-CBL-10

Revision: C

Release Date: 08/07/09

Egrn: G. Detuzzi.

